

Mini Inspection Camera with 5.5mmØ Tip

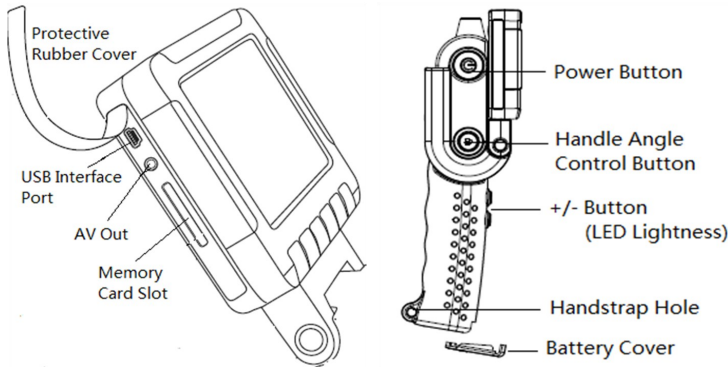
WRS-88AR5 Video Borescope

Features:

- Easy visual inspection in hard to reach places
- 3.5" TFT QVGA colour LCD screen (16.7M colours)
- Capture still images (JPEG) or video with sound (AVI) on supplied 2GB memory card
- Transfer images and video to your PC via USB or SD card for viewing and further analysis using Windows Media Player or any standard photo editor
- 5.5mm Ø camera on 3m flexible tube (bend to shape)
- Mini submersible camera for high resolution viewing
- 4 Bright white adjustable LED's for illumination
- Adjustable handle (0°/45°/80°)
- Adjustable LCD viewing angle (0-90°)



Mirror attachment included



Application Examples:

- HVAC - inside ducts, behind motors, compressors etc.
- Safety and security inspections
- Industrial - welding, cable routing, gears and machine inspection
- Automotive - in and around engine and transmission
- Aircraft inspection for cracks, debris and other damage
- Plumbing - blocked drains and pipe location
- Home and building - check for mould, nests and insect infestations
- Read name plate or serial numbers

Monitor Specification:

Screen type:	3.5" TFT QVGA colour LCD
LCD Effective pixels:	320 x 240 / 16.7M colours
Video system:	PAL or NTSC
Battery Life:	3~4 hours (4 x AA alkaline)
Zoom:	5x Digital
Picture/Video capture:	720 x 625 (0.45 MP)
Video size:	30MB / minute @ 30fps
Frame rate:	50 frames / second (PAL)
Video output:	0.9 ~ 1.3V p-p @ 75Ω

Kit includes mini camera on 3m tube, hand grip, LCD monitor, USB cable, video out cable, 2GB SD card, mirror attachment, batteries, manual and carry case

Camera Specification:

Imaging sensor:	1/12 VGA CMOS
Total pixels (NTSC/PAL):	720 x 625 (0.45MP)
Viewing angle:	F#2.8 - 70°
Focus distance (fixed):	Up to 300mm Optimized for 20 ~ 70mm
Light source:	4 mini LED's
Head diameter:	5.5mm
Working length:	3m flexible (bend and stay)
Power supply:	4 x AA batteries
Protection:	IP67 (head is submersible)
Temperature:	0 ~ 50°C
Accessories included:	mirror

A.W.R. SMITH Process Instrumentation CC

PO Box 449 Pinegowrie 2123 Tel: 011 782 7279 / 888 7144 Fax: 086 648 7664 sales@instruments.co.za

www.instruments.co.za